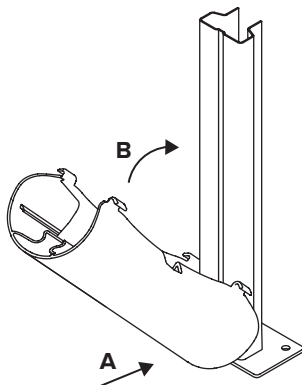


INSTALLING PROTECT-IT™ XL RACK GUARDS

Protect-it™ XL rack guards are easily secured to the post with two high strength clips.

STEP 1

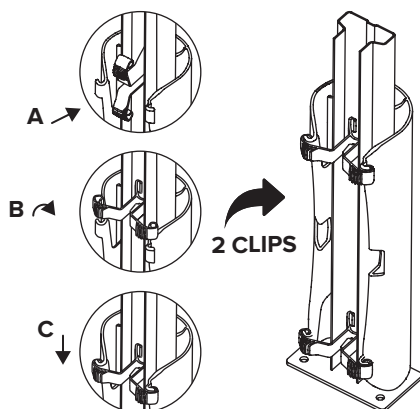
Slip base of guard onto upright (A) then pivot top of guard into place (B).



STEP 2

Using standard clips for open-back uprights

Insert first clip into the back of the post (A). Turn the clip 90° (B) and slide the clip over the hooks on the guard (C). Repeat process for second clip.



STEP 2

Using closed-tube clips for tubular uprights

Slide clip over the hooks on the guard (A). Repeat process for second clip.

